

Fig. 1: Active control box indicators

Connectivity

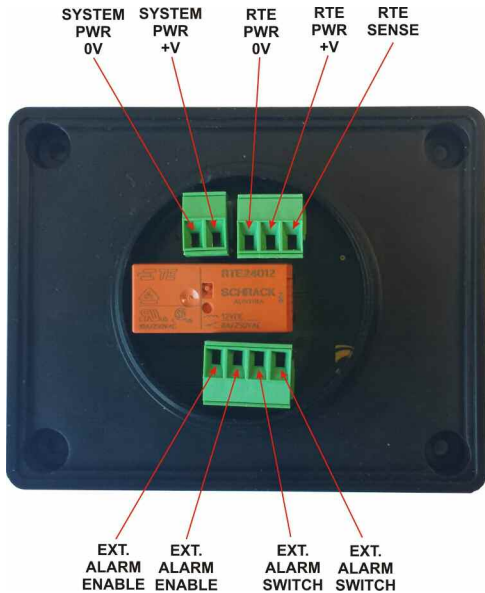
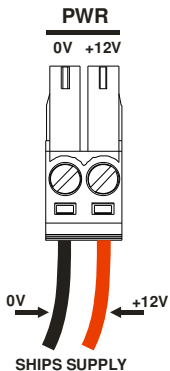
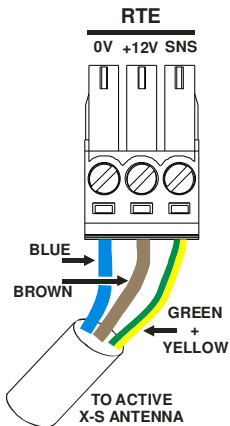


Fig. 2: Connections at rear of unit

Power Connections

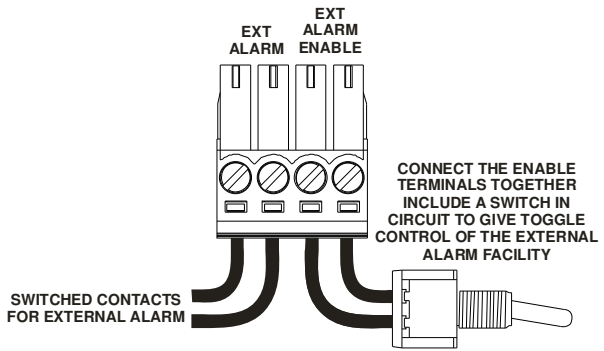
Fig. 3: Power supply



RTE Connections

Fig. 4: RTE connectivity

EXTERNAL ALARM



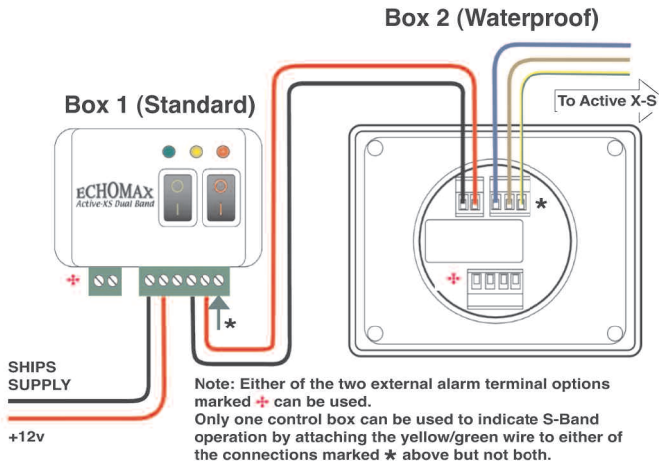


Fig. 6: Dual station connection

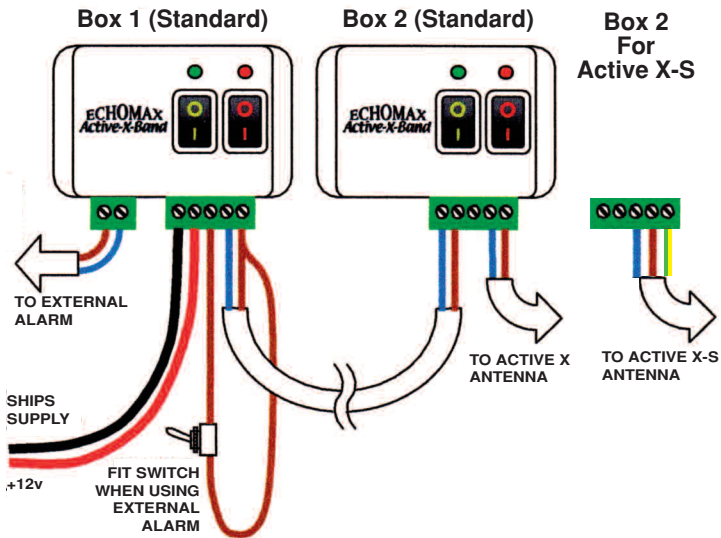


Fig. 7: Connection of External Alarm