

Using Dual Control Boxes with Active-X RTE

In applications where it is required to be able to see the status of the RTE in two positions on the boat, two control boxes may be wired as shown in Figure 1.

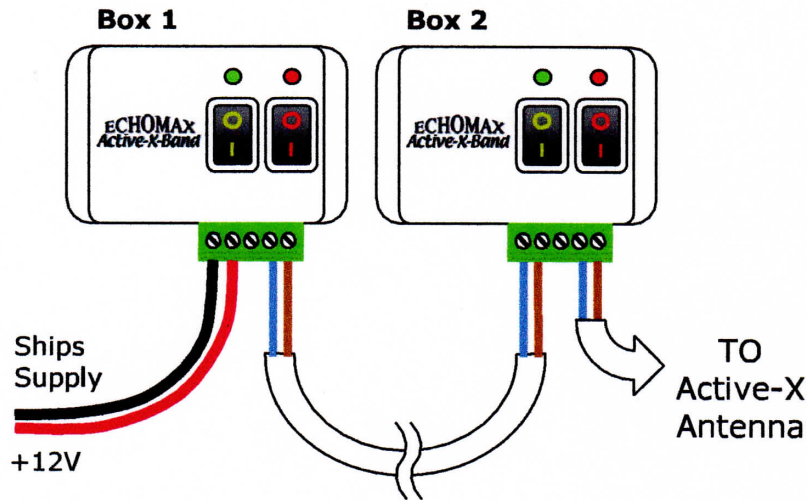


Figure 1: Wiring dual control boxes

Note: If the alarm is active on Box 2 the Green LED indicator on Box 1 will show an extended flash whenever a radar pulse is detected. For correct indication, it is suggested to use the alarm on Box 1 only.

When using an external alarm, the alarm should be wired to Box 1, as shown in Figure 2.

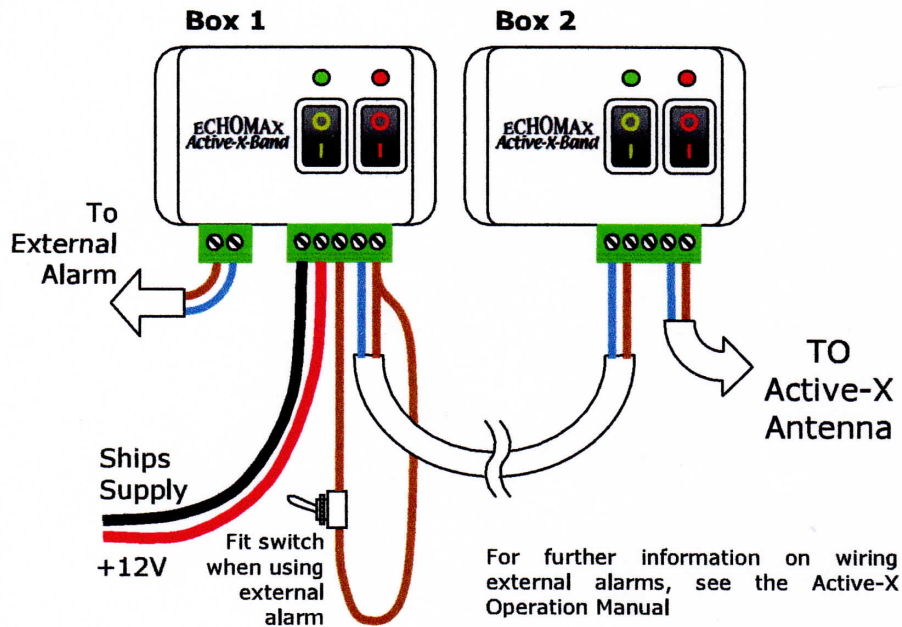


Figure 2: Connection of External Alarm